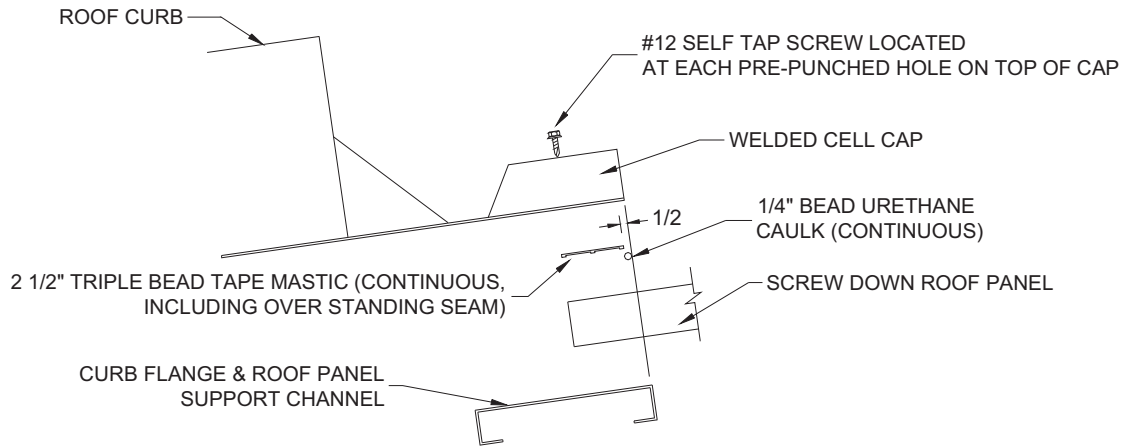
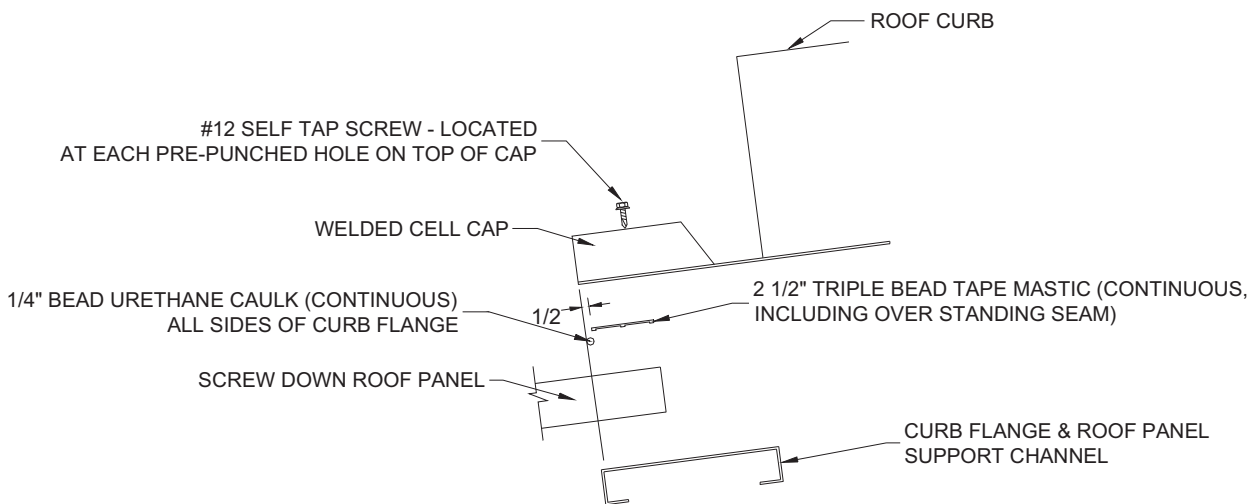


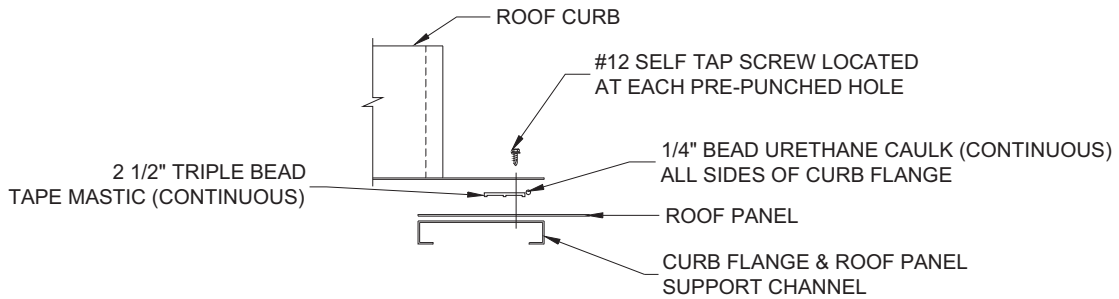
Screw Down Roof Panel Erection Details-Fixed Cell Caps



Roof Curb Upslope Flange



Roof Curb Downslope Flange



Roof Curb - Sides Section AA