

COUNTER FLASHING INSTALLATION INSTRUCTIONS

The counter flashing should be attached to curb as follows:

- (Step 1): Contractor must attach roofing membrane around the perimeter of curb.
- (Step 2): Attach corner flashing pieces as shown in figure 1-1.
- (Step 3): After securing corner flashing to curb, set side flashing with 3" overlap, caulk underneath each overlap as shown in figure 1-2.
- (Step 4): Make sure there is a screw in each pre-punched hole.
- (Step 5): Caulk entire flashing perimeter as shown in typ. section.

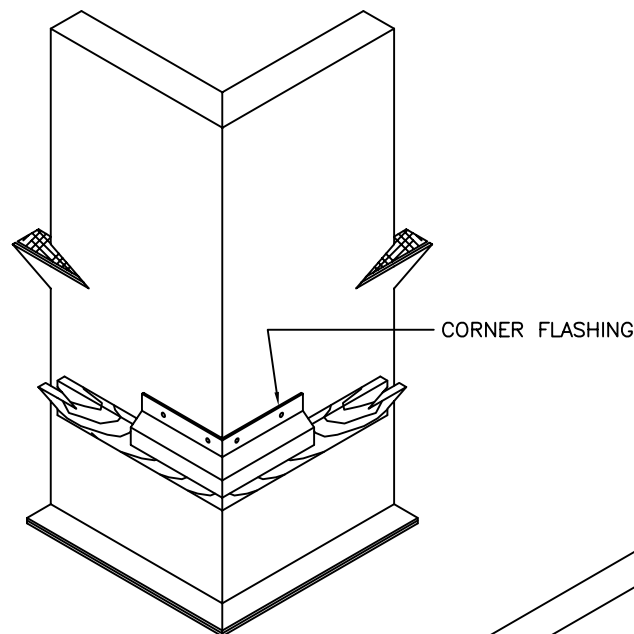
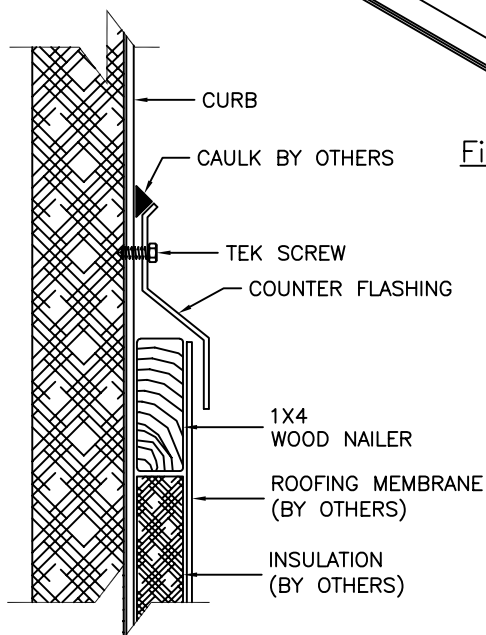


Figure 1-1



TYP. SECTION

SCREWS
SUPPLIED BY THYCURB

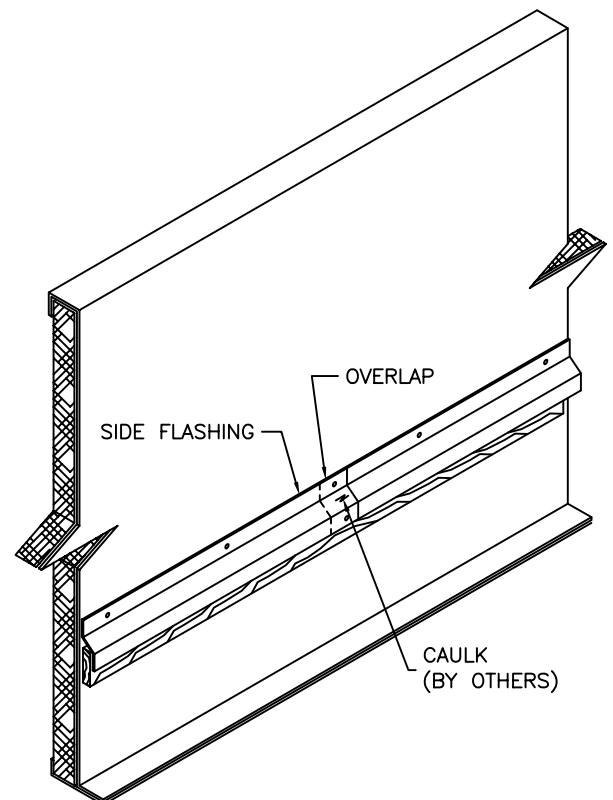


Figure 1-2