

TC-3 Insulated Roof Curb

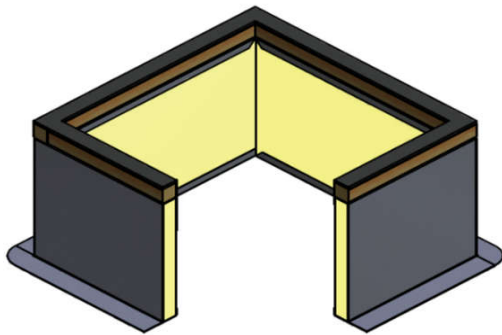
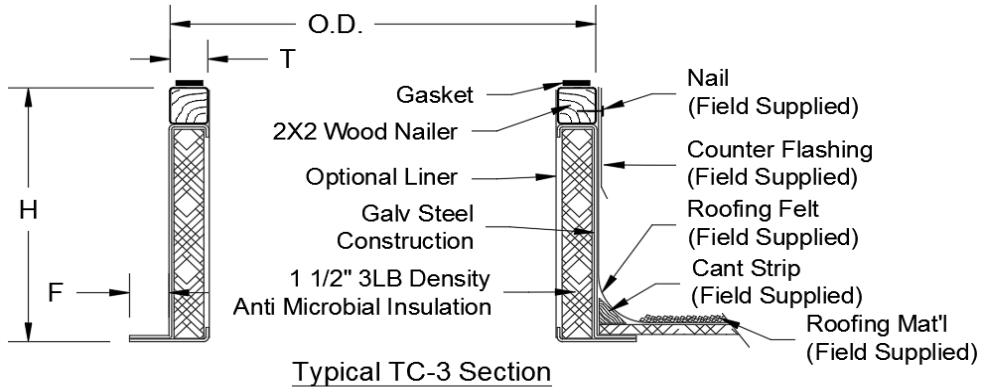


Customer: _____
 Project: _____
 Quote/Order No. _____
 Submittal Date: _____

Single-Ply roofing. Lightweight fill or tapered insulation.

Specifications

Prefabricated roof curb to be manufactured of prime galvanized steel construction, 20, 18, 16 or 14 gauge as required, meeting ASTM A653/653M, with welded corners and with seams joined by continuous welds. Roof curb shall be internally reinforced with angles 48" on center, factory insulated with 1 1/2" thick 3# density fiberglass insulation, and factory installed wood nailers. Height to be 8" above roof deck or as detailed. Top of all roof curbs shall be level, with pitch built into curb when deck slopes.



Standard Construction

- Galvanized steel shell, base plate and counterflashing
- Factory installed wood nailer
- Internal bulkhead re-inforcement
- All welded construction

Added Options

- 1
- 2
- 3
- 4

#	Qty	Width OD	Length OD	H	T	F	Pitch/12	Direction	Options	Tag

Thybar Corporation has a policy of continuous product improvement and reserves the right to change the product design without notice