

INSTALLATION INSTRUCTIONS

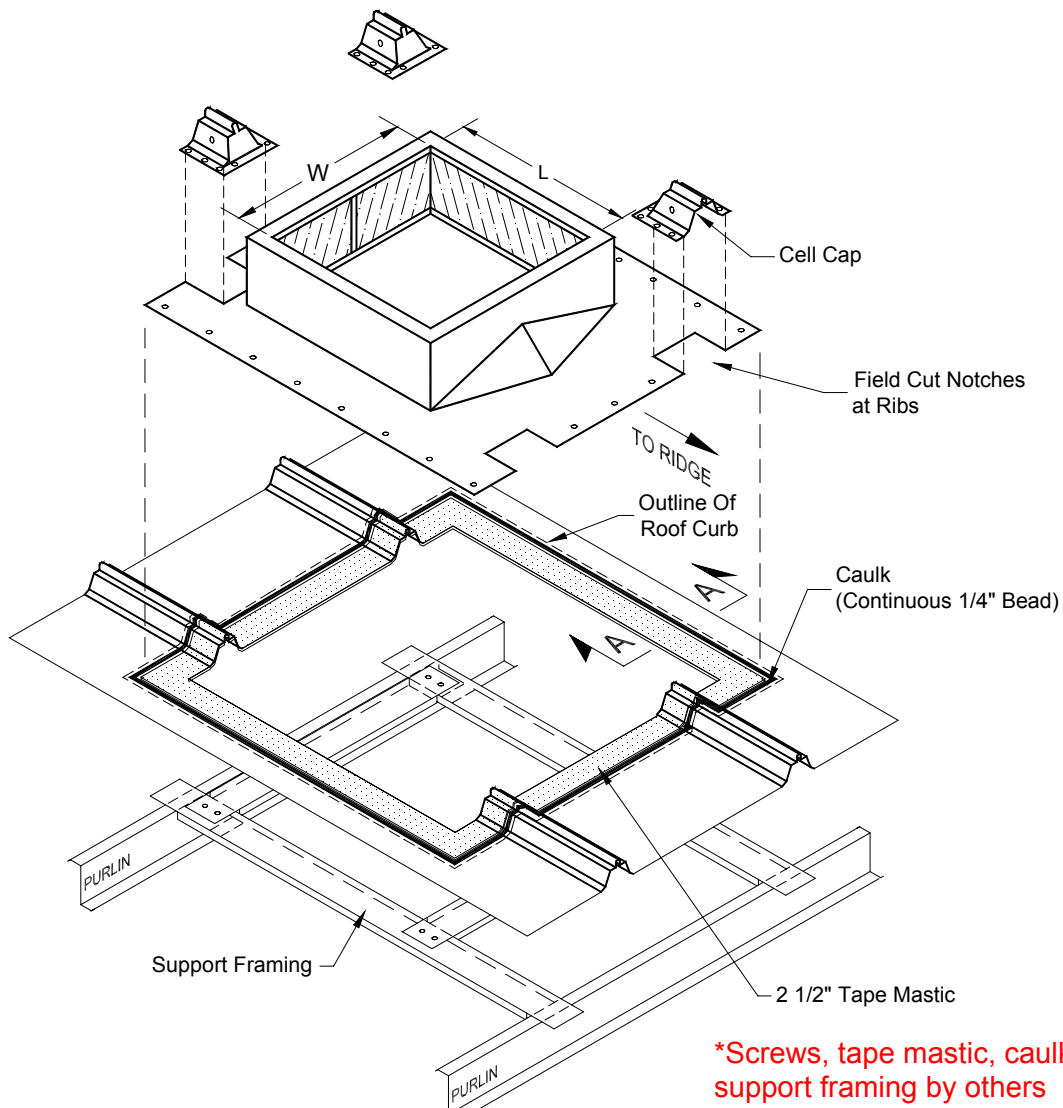
Loose Cell Caps

1. Measure and cut hole in roof panel. (Opening width = curb I.D. and Opening length = curb I.D.+ 15").
2. Measure curb for field notches in flanges at ribs 5" wide x 3" deep front and back (do not oversize notches).
3. Mark curb flange locations on roof panel, remove curb, install 2 1/2" tape mastic 1/2" inside of mark.
4. Apply 1/4" bead of urethane caulk between tape mastic and mark at all 4 sides.
5. Place curb over opening and attach to roof with self-drill screws.
6. Finger tool to form caulking for a proper seal and drainage.
7. Do not reverse steps 5 and 6.
8. Follow instructions on back of sheet for cell caps, screws, tape mastic, and caulk.

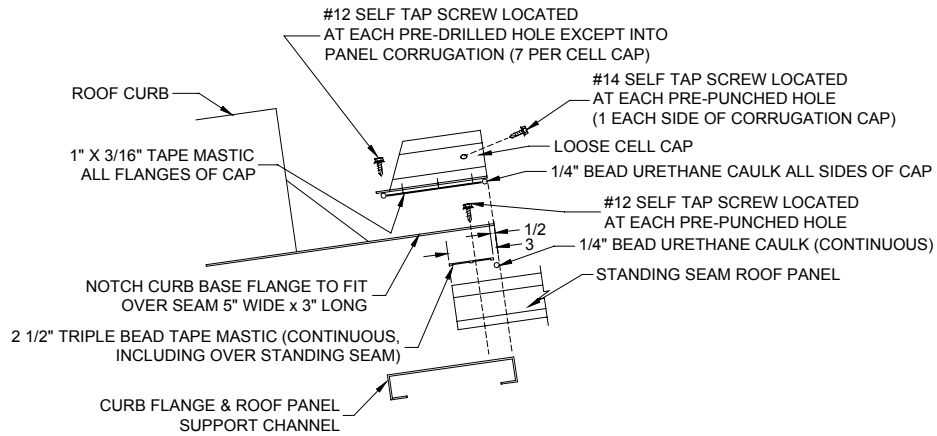
General Notes:

1. Cutting holes in roof panel should be done with an electric shear, nibbler, or reciprocating saw. The use of an abrasive saw will damage the finish of the roof panel.
2. Deburr all field cut edges at panel ribs. Cut (do not tear) tape mastic at 45° angle at corners.

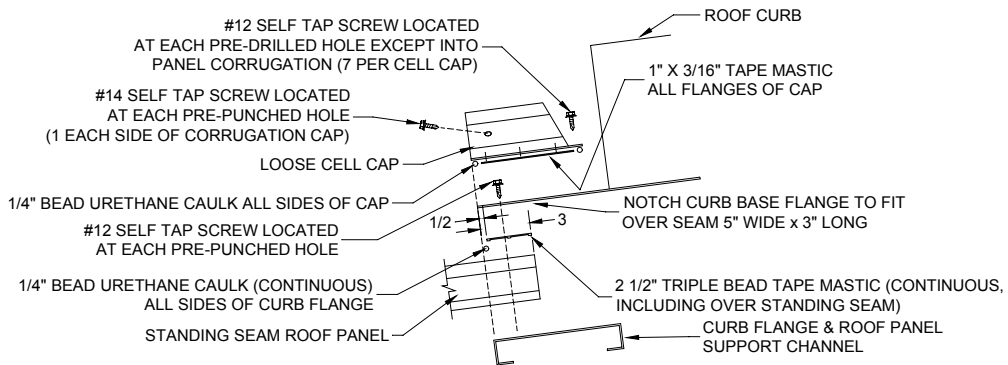
Note: These instructions are meant as a general guide only. Some variations may occur, refer to as built drawings before proceeding.



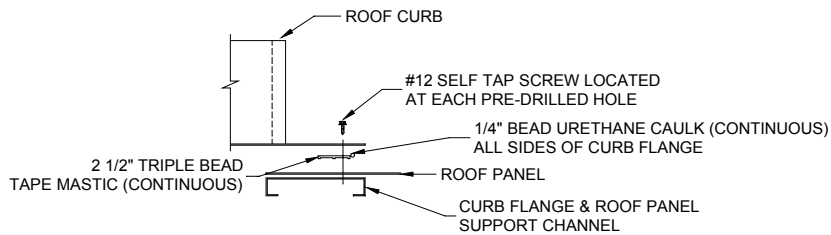
Standing Seam Roof Panel Erection Details-Loose Cell Caps



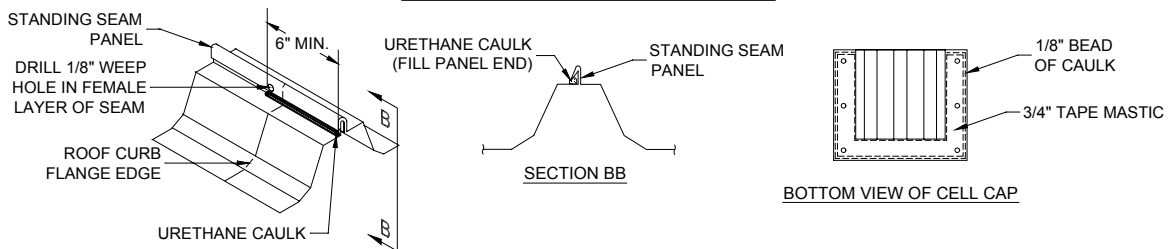
Roof Curb Upslope Flange



Roof Curb Downslope Flange



Roof Curb - Sides Section AA



Treatment of Upslope Seams